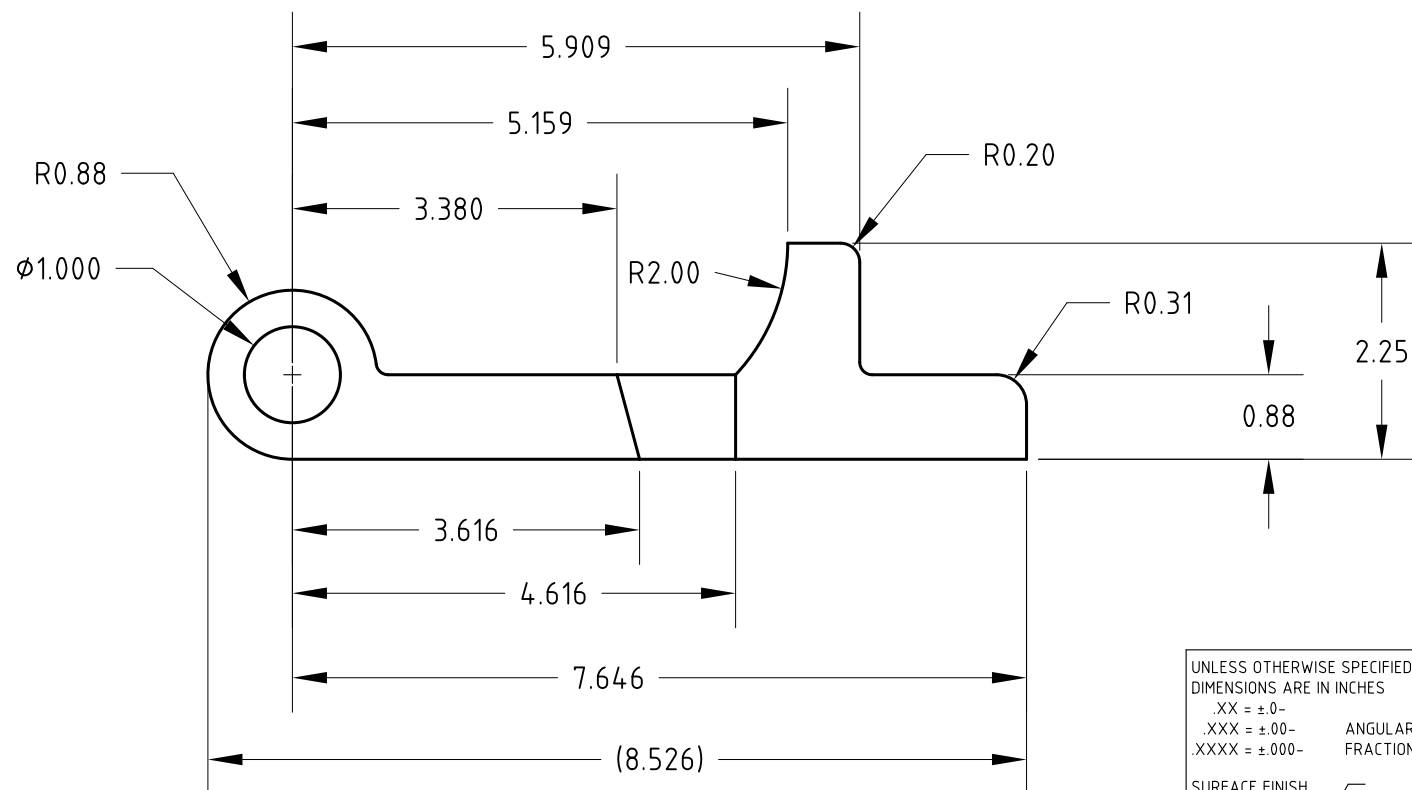
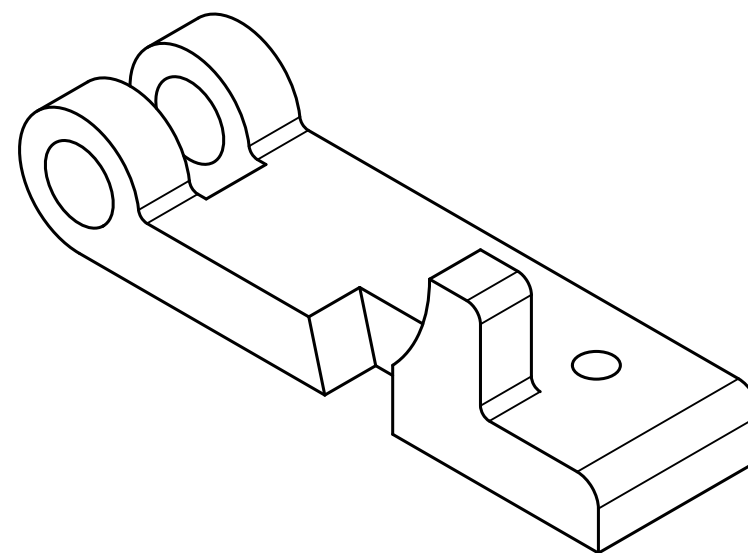
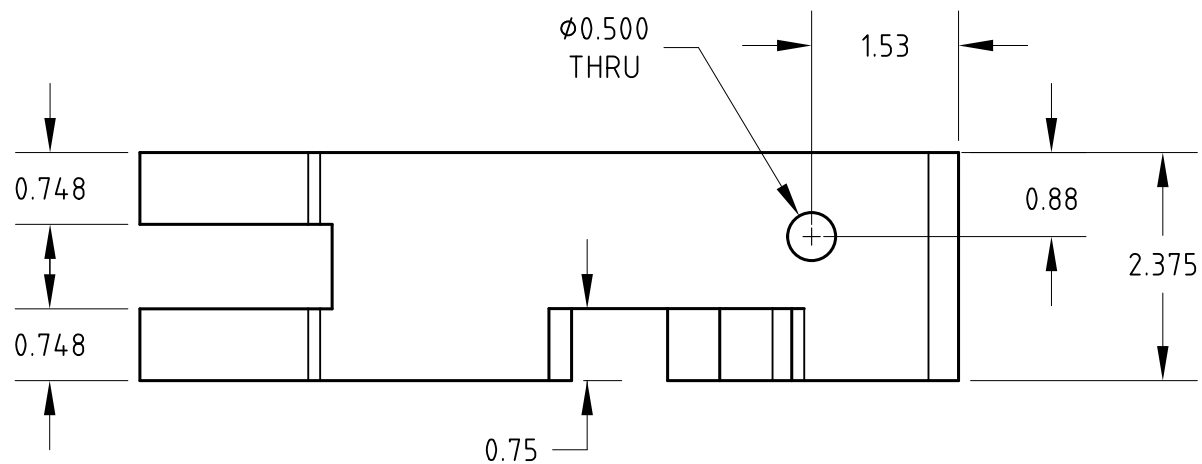
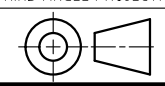


NOTES

1. REMOVE ALL BURRS AND SHARP EDGES.
2. UNDIMENSIONED RADII TO BE .13.



UNLESS OTHERWISE SPECIFIED,  
DIMENSIONS ARE IN INCHES  
.XX = ±0-  
.XXX = ±.00-  
.XXXX = ±.000-  
SURFACE FINISH  $\sqrt{\quad}$   
ANGULAR  $\angle = \pm^\circ$   
FRACTIONAL =  $\pm$   
DO NOT SCALE DRAWING  
BREAK ALL SHARP EDGES AND REMOVE  
BURRS  
THIRD ANGLE PROJECTION



	NAME	DATE
DRAWN	FastwayJim	06/06/2016
CHECKED		
APPROVED		
MATERIAL	FINISH	

Part 4 Dwg			
TITLE		-----	
SIZE	DWG NO.	REV.	
<b>B</b>	-----	-	
SCALE	WEIGHT	SHEET	1 of 1